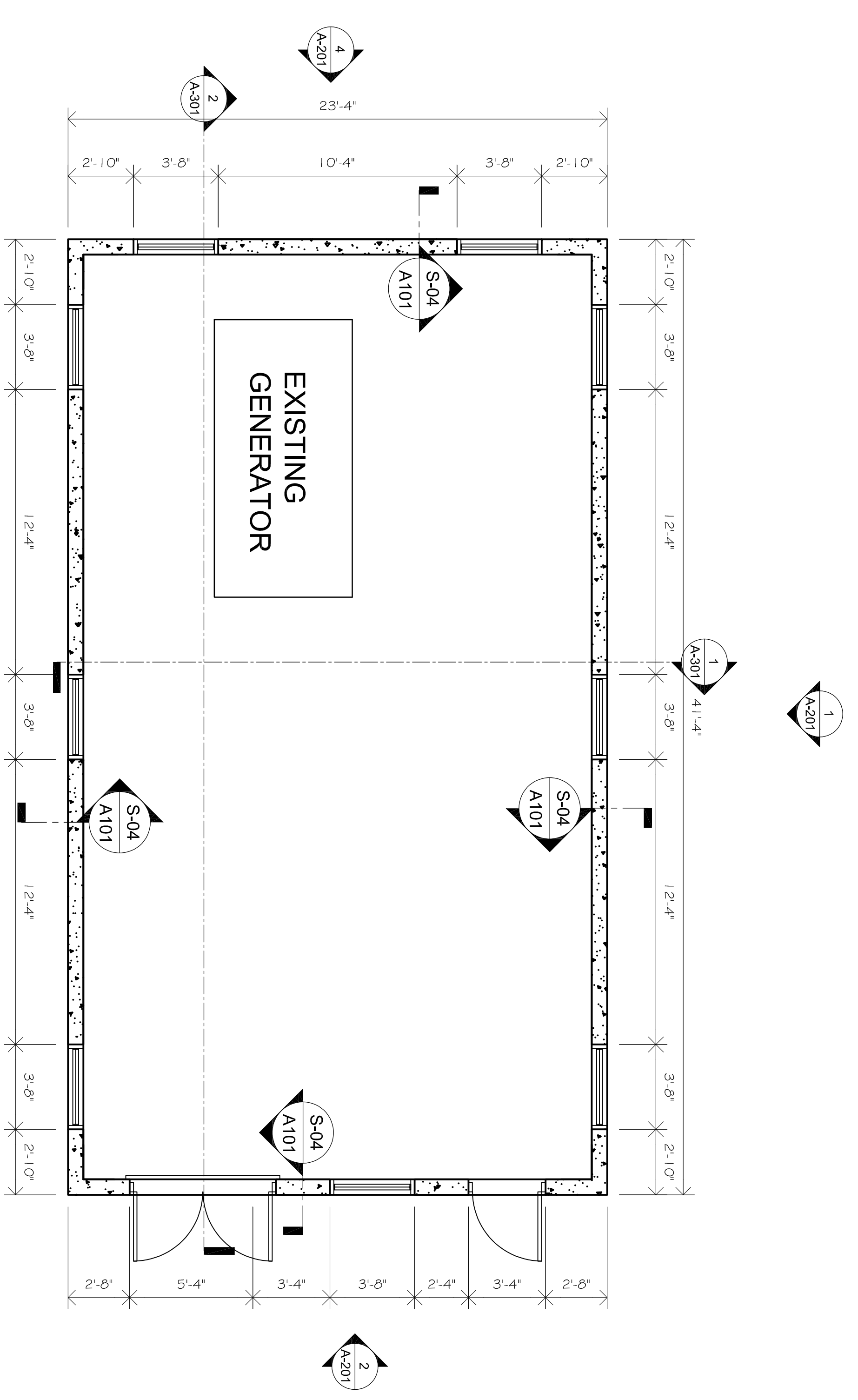


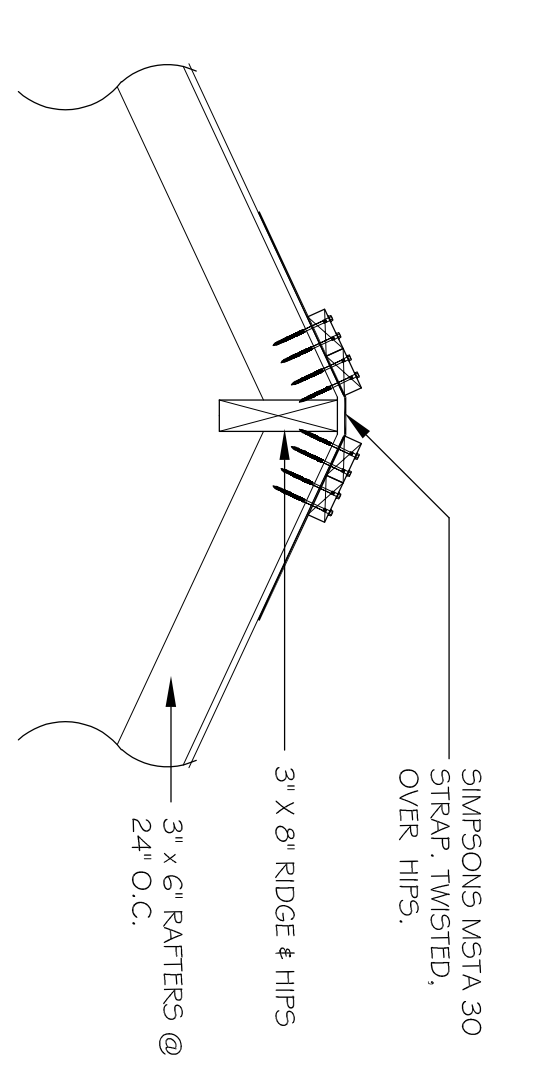
GA: ROOF PLAN

SCALE : 1/4" = 1'-0"



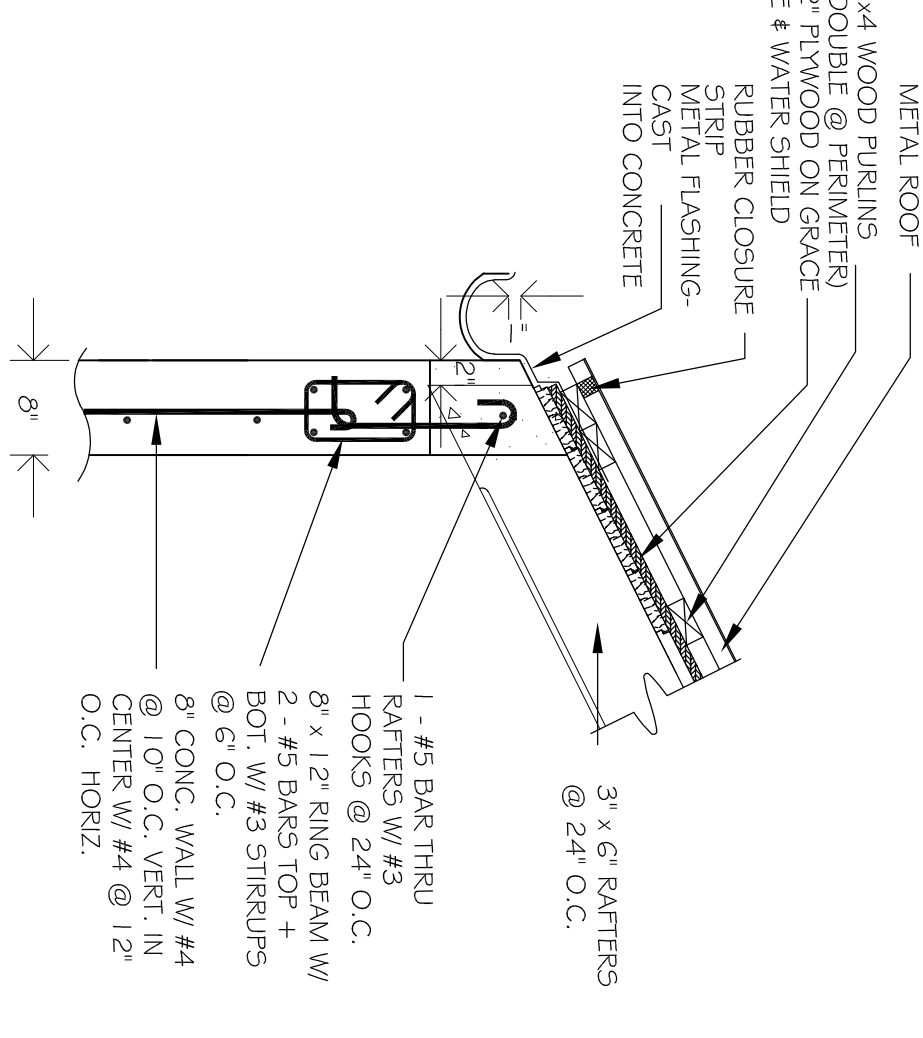
GA: GROUND FLOOR PLAN

SCALE : 1/4" = 1'-0"



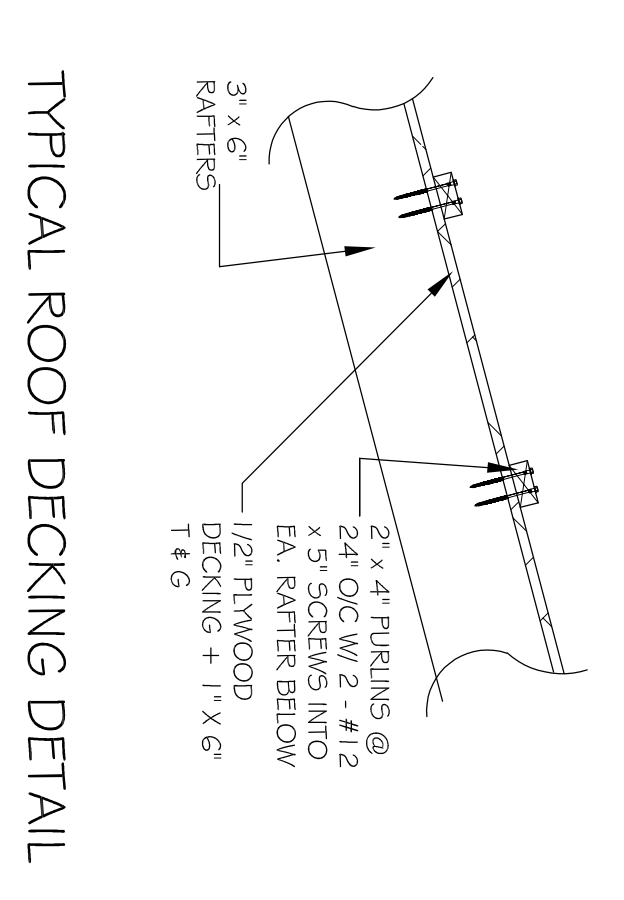
S-01

SCALE : 3/4" = 1'-0"



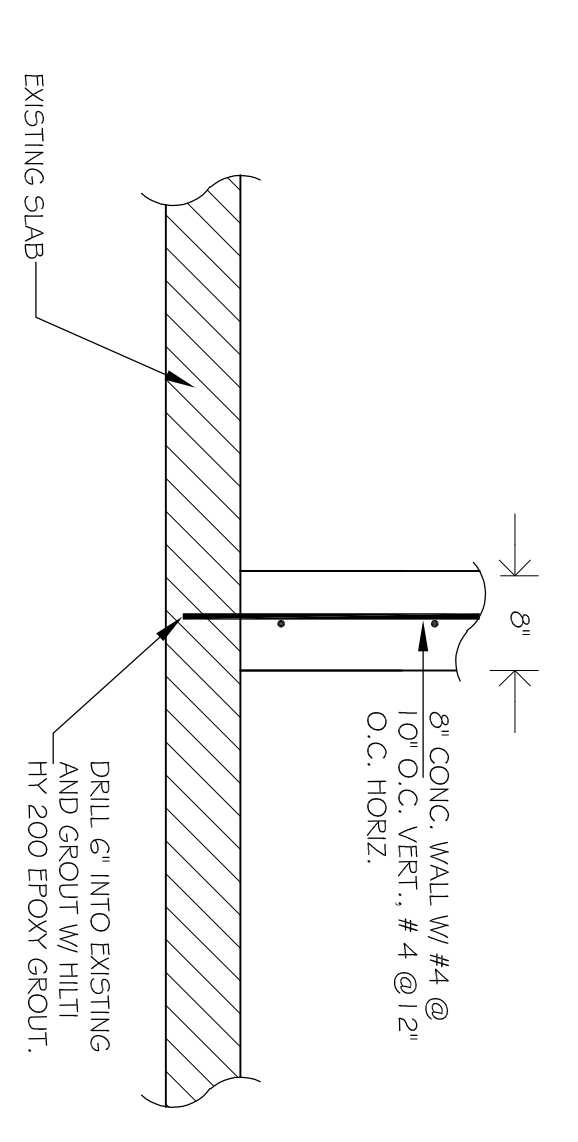
S-02

SCALE : 3/4" = 1'-0"



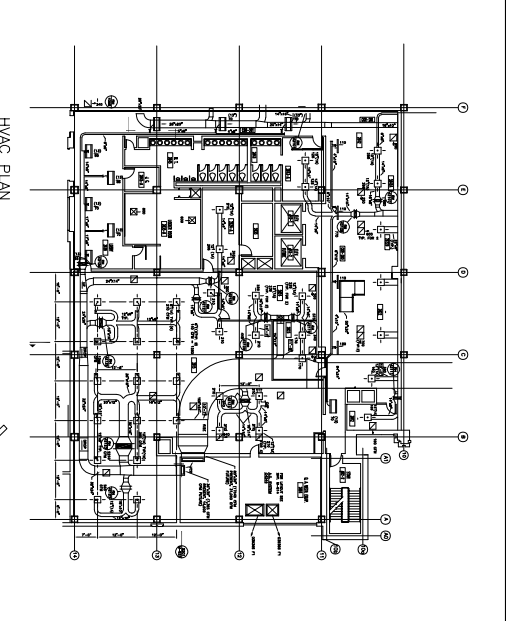
S-03

SCALE : 3/4" = 1'-0"



S-04

SCALE : 3/4" = 1'-0"



SYSTEMS ENGINEERING LTD.
 P.O. BOX 3891
 SEA COWS BAY
 TORTOLA, VG 1110, B.V.I.
 TEL: 284.494.2987
 FAX: 284.494.0775
 EMAIL: sytmeng@systemscaibbean.com

NOTES

- DO NOT USE THIS DRAWING FOR CONSTRUCTION UNLESS THE WORDS CONSTRUCTION SET APPEARS IN THE REVISIONS COLUMN
-

BVI ELECTRICITY CORPORATION:
GENERATOR BUILDING

LONG BUSH
 TORTOLA
 BVI

PRELIMINARY ONLY
NOT FOR CONSTRUCTION

REV #	DESCRIPTION	DATE	BY	APP'D
A	PRELIM. ISSUE TO ARCH.		RT	240320
			DMM	24MAY20

ISSUE INFORMATION: A

DESIGNER: RT

DRAWN: BM

JOB REF: 24 03 20

DATE: 24 03 20

SCALE: AS NOTED

DWG NAME: FLOOR PLANS

DWG NO: A-101

VERRS: 3.0 - 071219