

SYSTEMS ENGINEERING LTD.  
 P.O. BOX 3891  
 SEA COWS BAY  
 TORTOLA, VG 1110, B.V.I.  
 TEL: 284.494.2987  
 FAX: 284.494.0775  
 EMAIL: syfmenr@systems-caribbean.com

**NOTES**

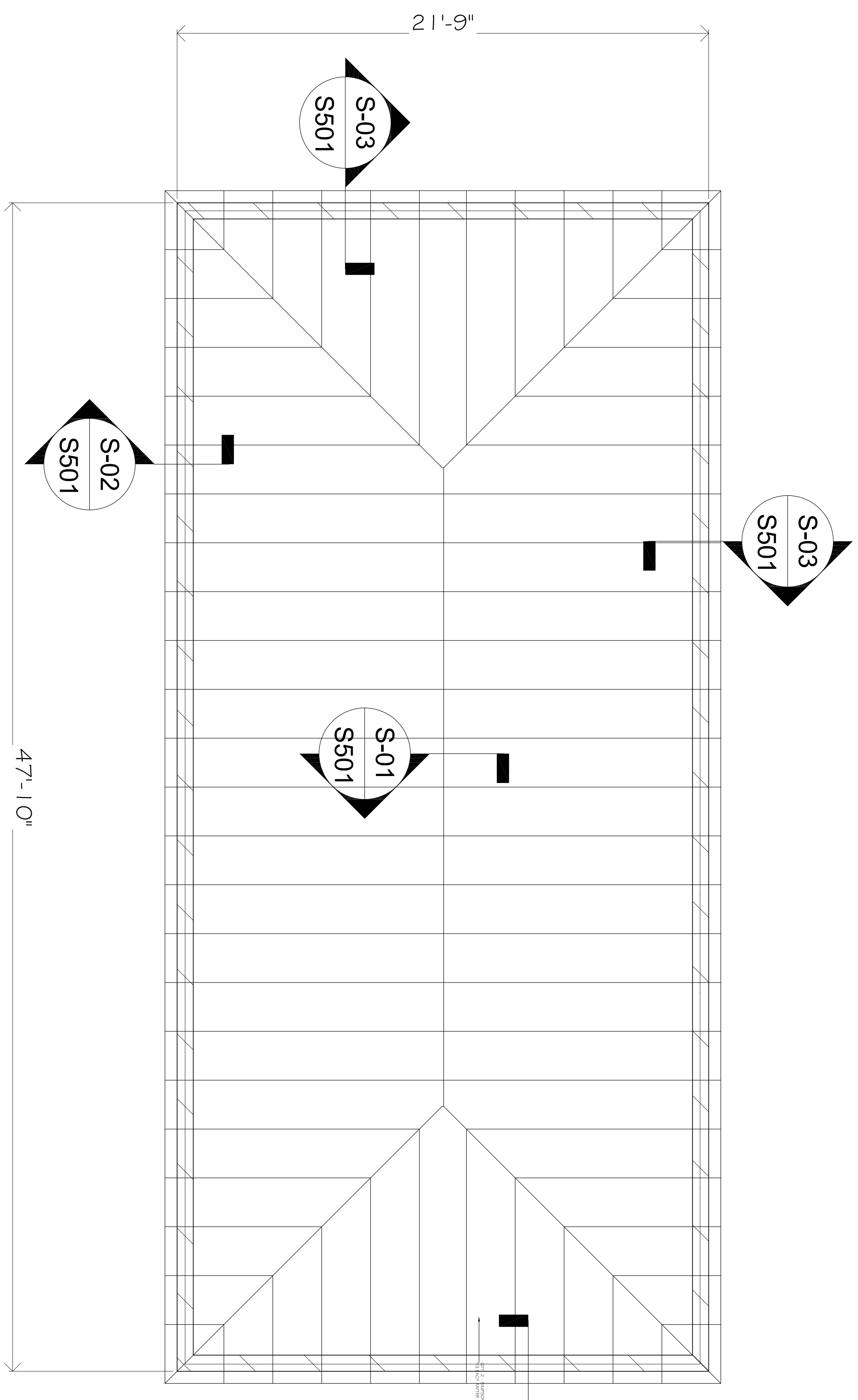
SCALE: 3/4" = 1'-0"  
 THIS DRAWING FOR CONSTRUCTION UNLESS THE WORKS CONSTRUCTION SET APPEARS IN THE REVISIONS COLUMN

02	
----	--

**BVIEC DEMOLITION WORKS**  
 LONG BUSH  
 TORTOLA  
 BVI  
**PRELIMINARY ONLY**  
**NOT FOR CONSTRUCTION**

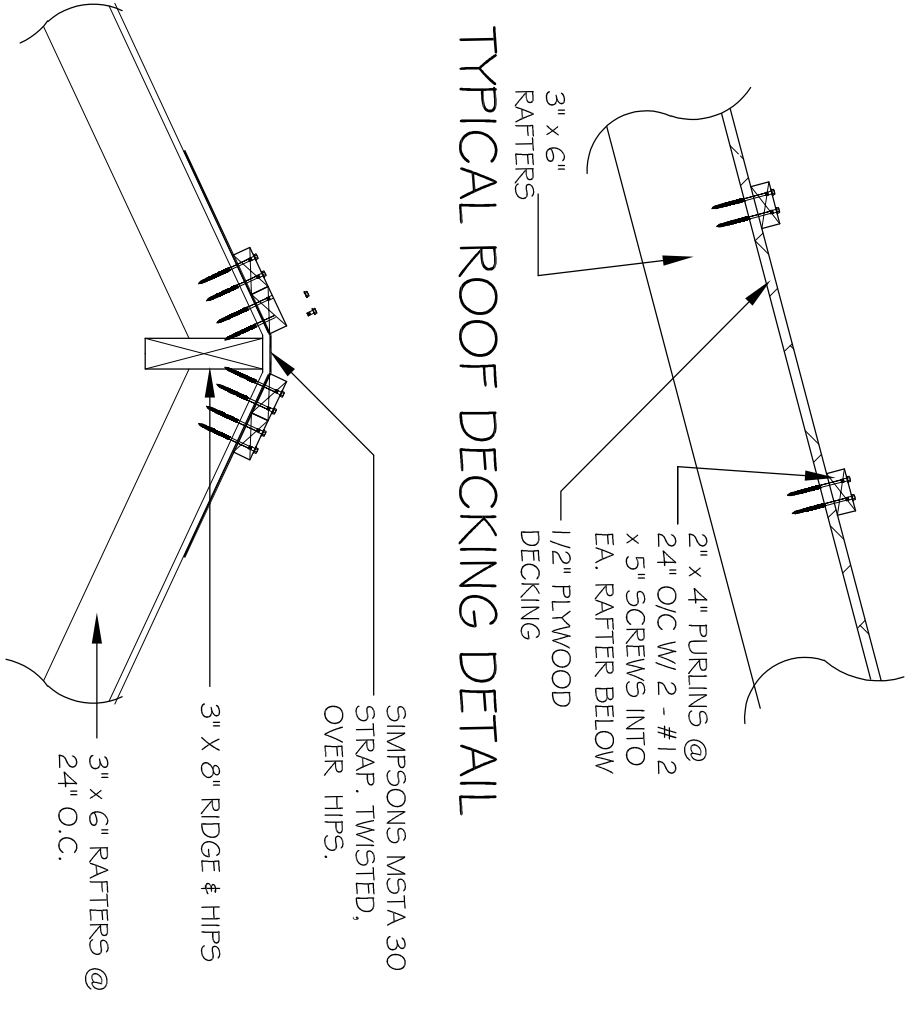
A	PRELIM. ISSUE TO ARCH.	2402
REV #	DESCRIPTION	DATE
<b>ISSUE INFORMATION:</b>		
DESIGNER:	RT	
DRAWN:	BM	
JOB REF:		
DATE:	24 02	
SCALE:	AS NOTED	
DWG NAME:	<b>ROOF DETAILS CONTRACT 2</b>	
DWG NO:	<b>S-501</b>	

VERS: 3.0 - 07/219



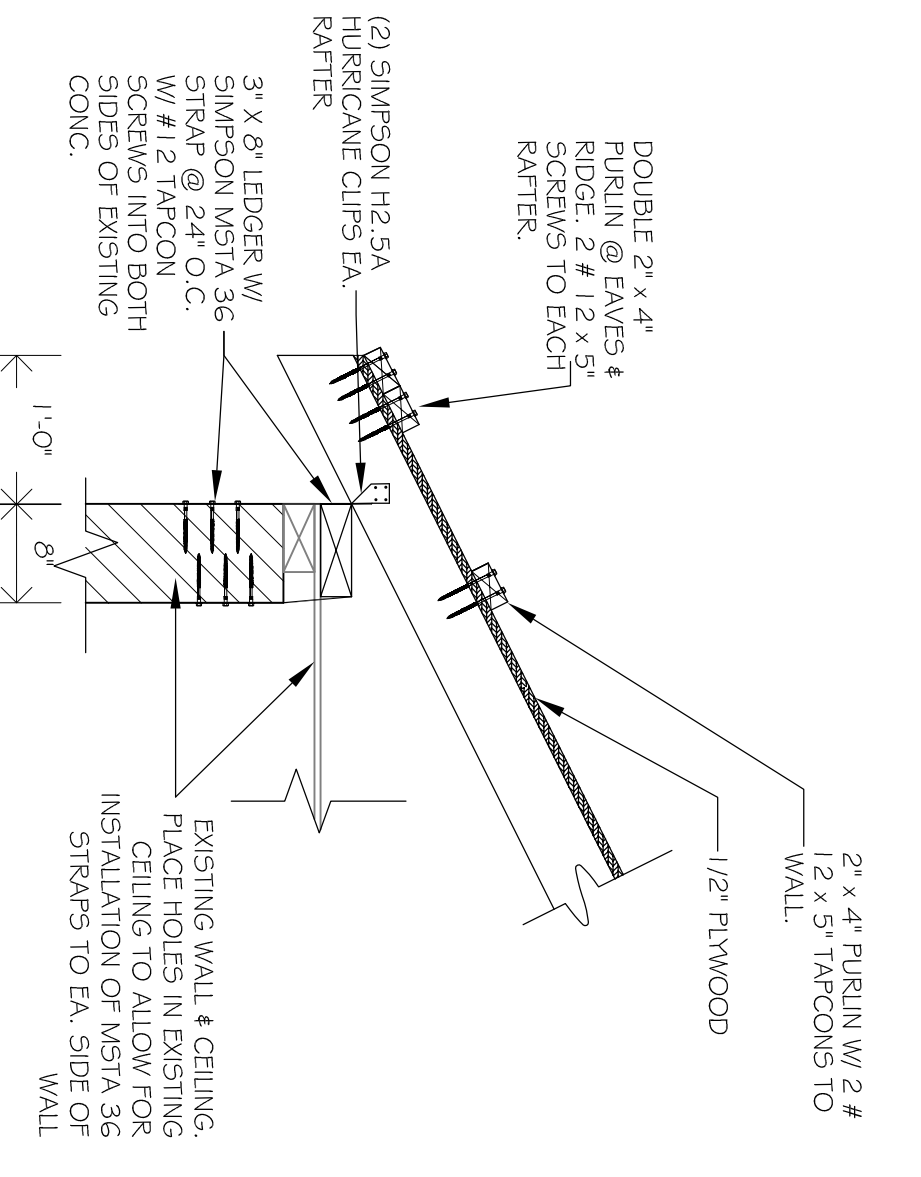
**GA: ROOF PLAN**

SCALE : 3/8" = 1'-0"



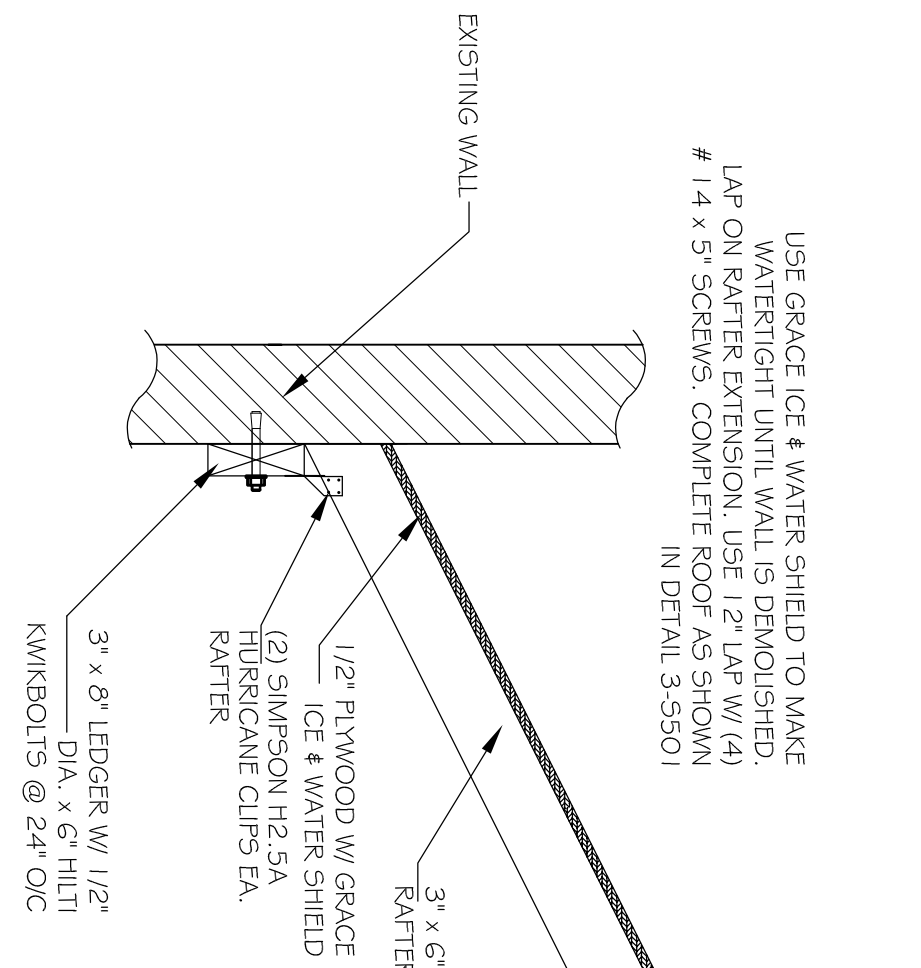
S-01

SCALE : 3/4" = 1'-0"



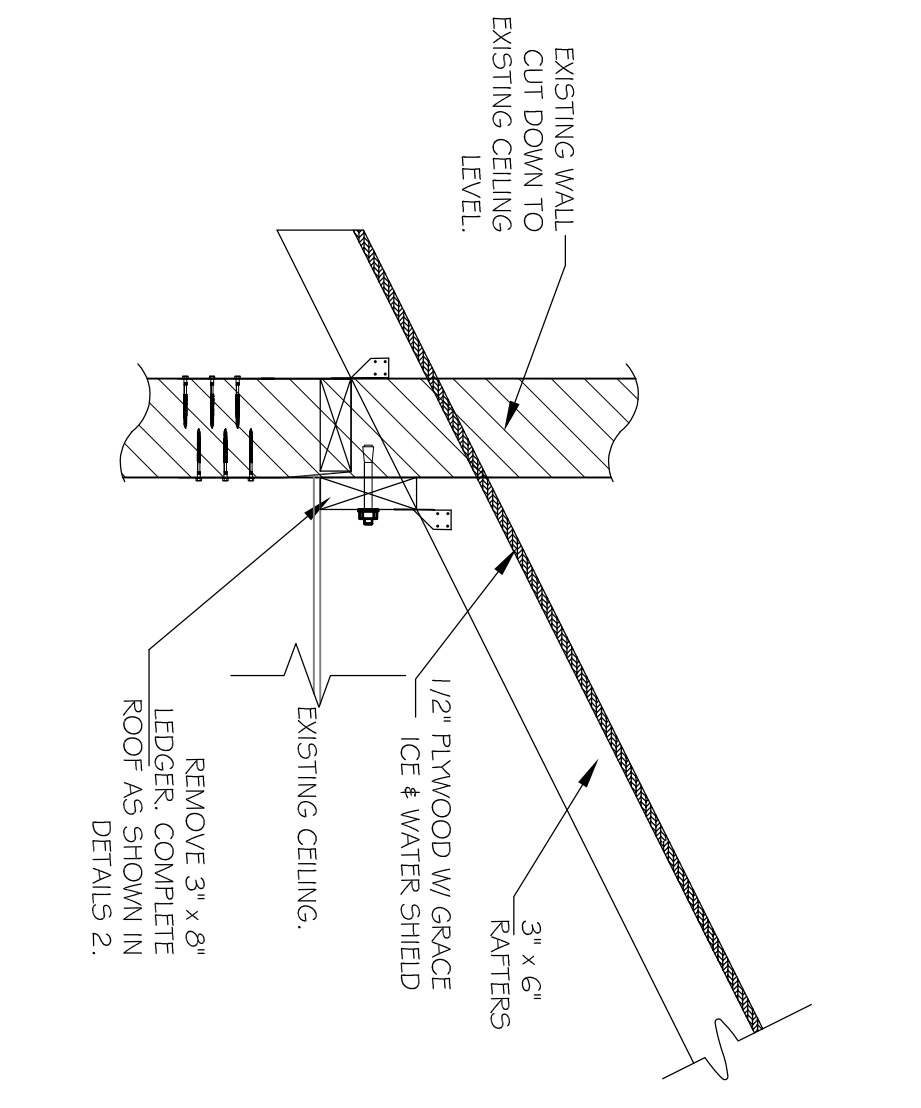
S-02

SCALE : 3/4" = 1'-0"



S-03

SCALE : 3/4" = 1'-0"



S-04

SCALE : 3/4" = 1'-0"